



PROTECT

combined with active carbon



FOR  
AUDI

A6 A/C+/- (04/97 > 11/98)

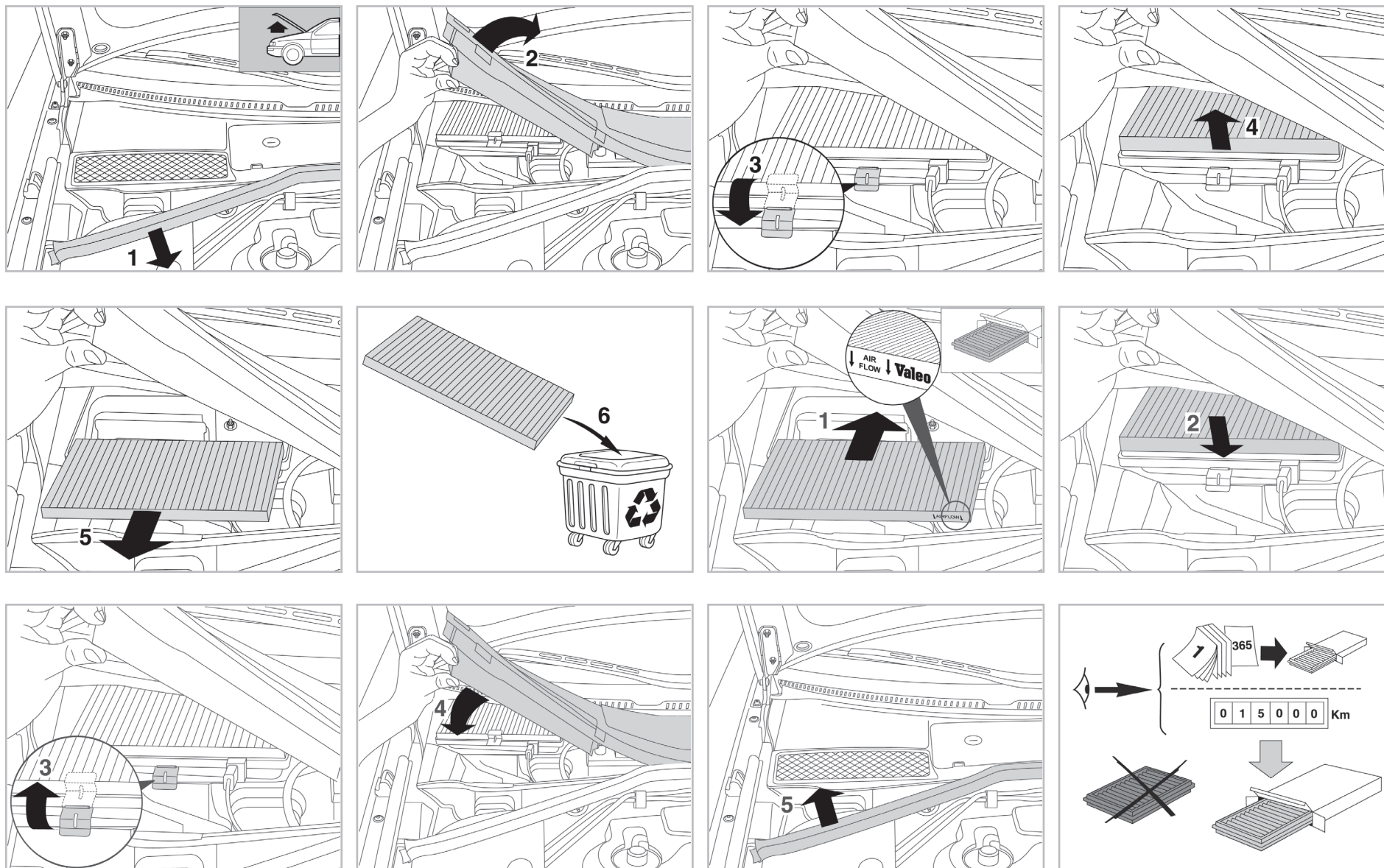


698682

FH309



CA



WANT TO  
KNOW MORE?



www.valeo-techassist.com

Valeo Service - Société par Actions Simplifiée - Capital de 12 900 000 € - 70, rue Playel, 93285 Saint-Denis Cedex - France - B 306 486 408 RCS Bobigny